

Z-ABP-459 Z-D27044 ABP-459 ABP-4592

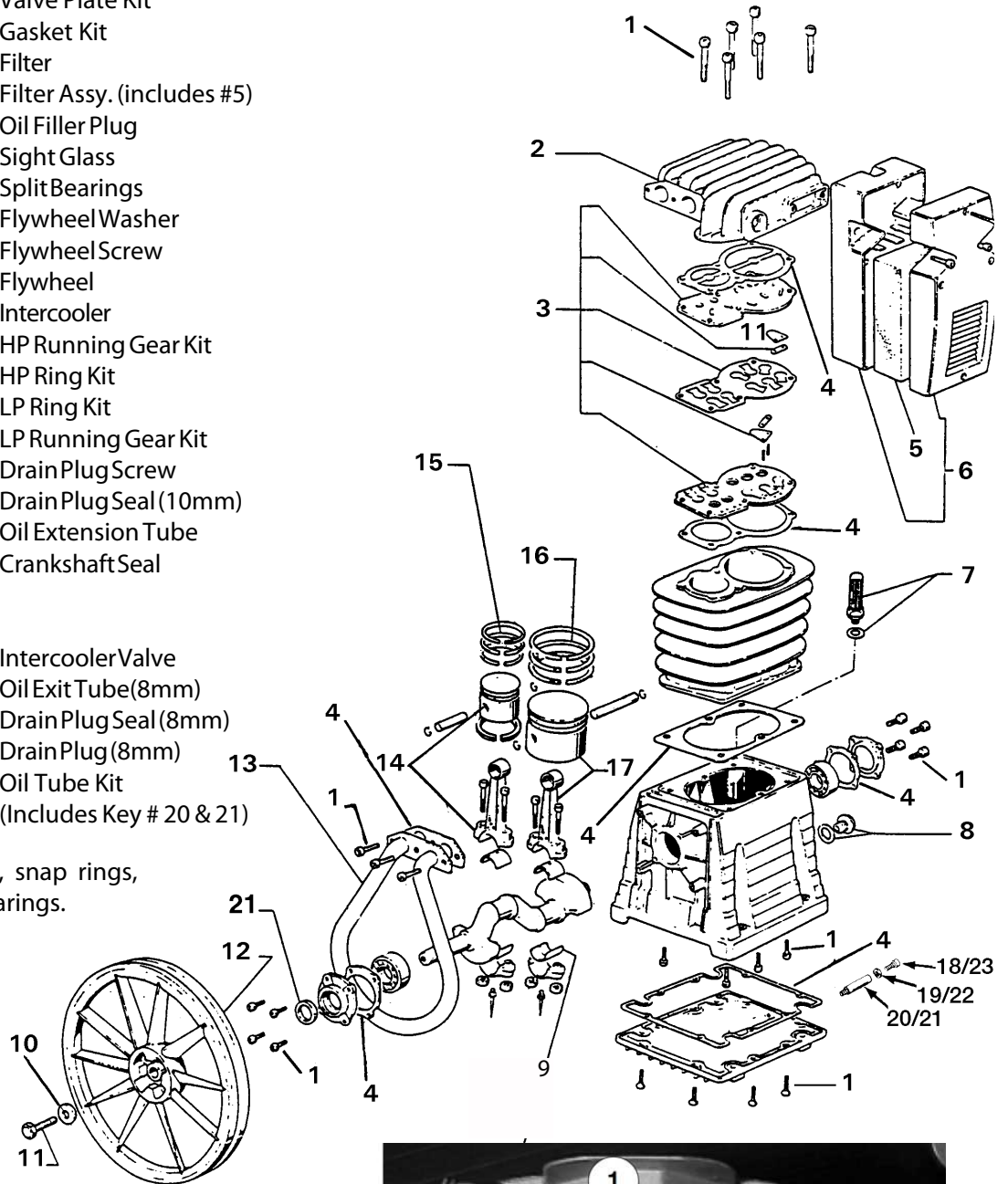
KEY

NO.	PARTNUMBER	DESCRIPTION
1	ABP-8226501	Hardware Kit
2	ABP-5961400	Head
3	ABP-5940050	Valve Plate Kit
4	ABP-5950055	Gasket Kit
5	ABP-5281100	Filter
6	ABP-5981000	Filter Assy. (includes #5)
7	ABP-9024011	Oil Filler Plug
8	ABP-9022003	Sight Glass
9	ABP-9013013	Split Bearings
10	ABP-9004009	Flywheel Washer
11	ABP-9110022	Flywheel Screw
12	ABP-4000101	Flywheel
13	ABP-5962000	Intercooler
*14	ABP-8226502	HP Running Gear Kit
15	ABP-8227093	HP Ring Kit
16	ABP-8227092	LP Ring Kit
*17	ABP-8226503	LP Running Gear Kit
18	ABP-9101164	Drain Plug Screw
19	ABP-9162030	Drain Plug Seal (10mm)
20	ABP-9053203	Oil Extension Tube
21	ABP-9163020	Crankshaft Seal

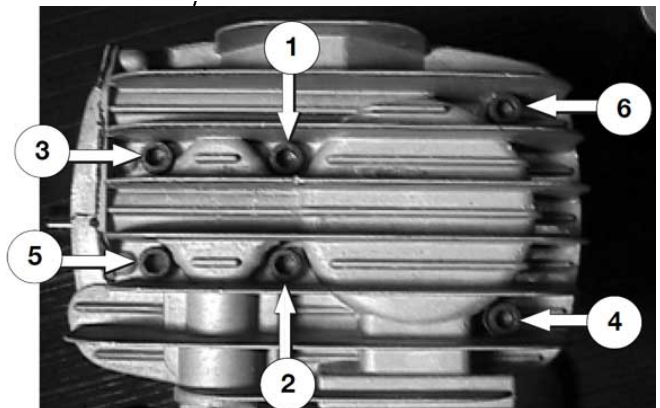
NOT SHOWN

ABP-9049020	Intercooler Valve
ABP-9053203	Oil Exit Tube (8mm)
ABP-9162010	Drain Plug Seal (8mm)
ABP-9103104	Drain Plug (8mm)
D20567	Oil Tube Kit (Includes Key # 20 & 21)

*Includes rings, piston pin, snap rings, rods, oil dipper and split bearings.



Key No.	Torque
Crankcase Cover	5.5 to 6 Ft.-Lbs.
Cylinder	32 to 33 Ft.-Lbs.
Cylinder Head	32 to 33 Ft.-Lbs.
Intercooler	32 to 33 Ft.-Lbs.
Flywheel	32 to 33 Ft.-Lbs.
Connecting Rod	17.5 to 18.5 Ft.-Lbs.
Bearing Covers	5.5-6 Ft.-Lbs.



Torque Cylinder Head Bolts to 32.5 ft lbs in the sequence shown above.